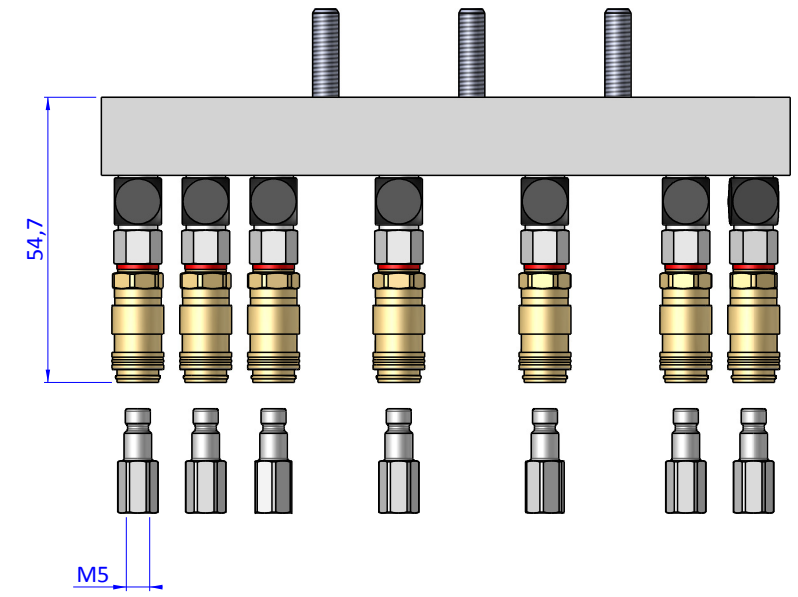
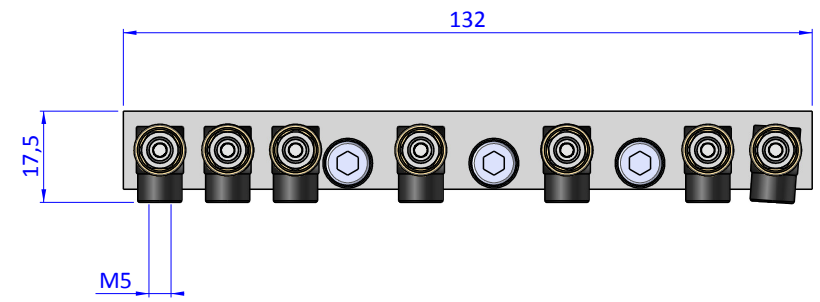
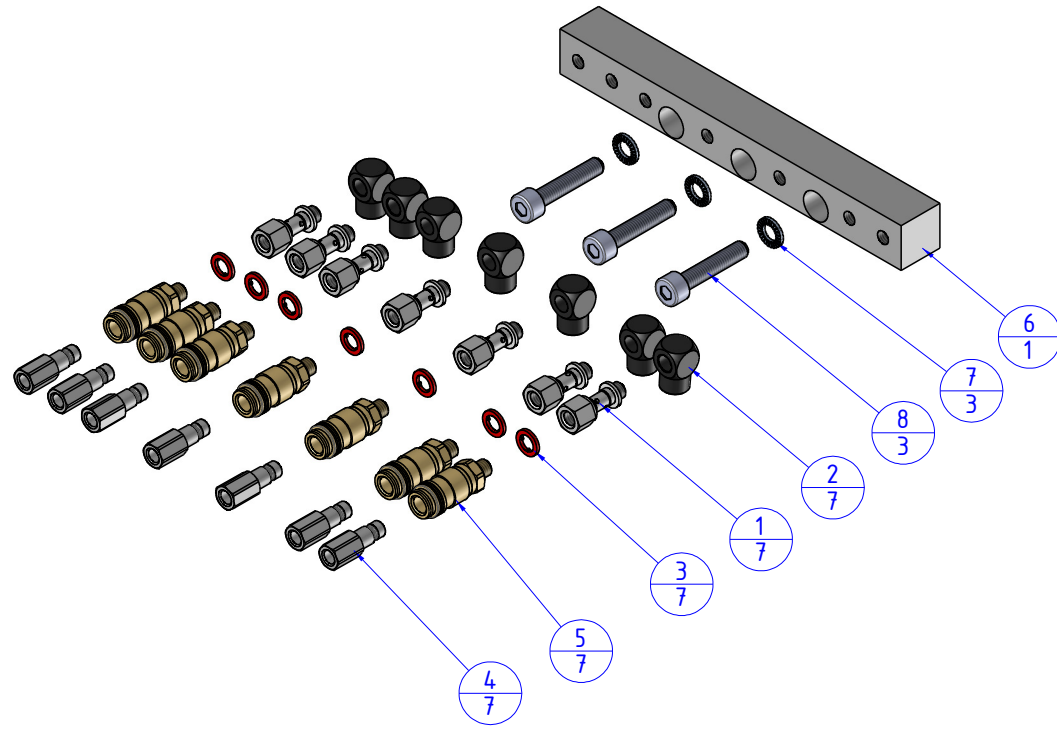



THE PROPERTY OF THE DRAWING IS ESTABLISHED BY LAW. IT IS FORBIDDEN TO PRODUCE OR SHOW IT TO THIRD PARTY, WITHOUT A WRITTEN AGREEMENT.

Item	Name	Qty.
1	CA.01.08.005	7
2	CA.01.08.008	7
3	CA.08.09.05	7
4	CA.12.06.008	7
5	CA.12.06.003	7
6	LAL.1.7	1
7	R.5.SCH	3
8	V.TCE5x25	3



Format A3
UNI 936-76

 FPS FPSERVICES AUTOMATION		DESIGNED FROM		REVIEW
		FPS Automation		A
GENERAL TOLERANCE		DATE	WEIGHT	
UNI - ISO 2768		25/07/2019	0.224kg	
CLASSE f		CODE		
		CALAL.1.7		CA.LAL.1.7